

-86°C Portable Ultra-low Freezer

Pioneer in the industry
Small but strong



DW-86HI1.8



New Scott Refrigeration

The inner temperature of the refrigerator is within $-86^{\circ}\text{C} \pm 0.2^{\circ}\text{C}$ which is precise and stable, and the display accuracy can reach 0.1°C

MINI The Smallest Volume In The Industry

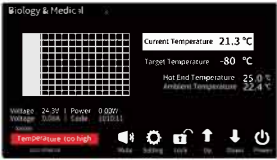
It can be placed on experiment table, and can use DC24V vehicle power supply or AC100V-240V household power supply.



Humanization Design

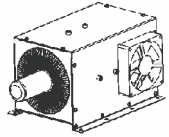
The body of freezer is made of high-quality structural sheet steel. The head cover has pulling out lifting yoke and the inner part is equipped with refrigeration sheets of various specifications which make it convenient for experimental samples to be cooled directly.





Intelligent temperature control

It has the high definition digital display with the display accuracy reaching 0.1°C. The inner temperature of the inner part can be changed from -40°C to -86°C. It is easy to operate with friendly interface and clear operating condition.



Refrigeration system

- It uses new refrigeration which can refrigerate quick and is energy-efficient without using fluorine-containing freezing medium.
- It has small size and is easy to carry which can use DC24V vehicle power supply or AC100V-240V household power supply.
- The foaming body and accessory device for heat preservation use soft EVA blind hole foaming materials. It has good heat preservation flexibility and property and flexible shape and has the strong ability to erase strong high frequency noise.



Safe system

- It has various functions including high temperature alarm, low temperature alarm, sensor fault alarm, power outage alarm which can preserve food in a safer way.
- The protection of power-on delay and power-off interval ensure the safety of operation.
- The functions of keyboard lockout system and keyword protection prevent adjusting operation parameters at will.
- The double-locking design makes the sample storage safer.



Humanization design

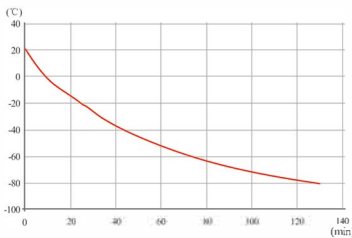
The body of freezer is made of high-quality structural steel plate which has the tiny volume and can be placed directly on the experiment table and is easy to store samples directly. It's easy to control and there are lifting yoke on the freezer body for moving. The freezer is equipped with refrigeration packs of various specifications which makes it easy for the direct refrigeration of experimental samples.

Scope Of Application

It can apply to physical evidence for public security, blood station, hygiene epidemic-protection system, academic institutions, electron industry, chemical industry, bioengineering, laboratories in colleges and universities, military enterprises, pelagic fishery companies, etc.

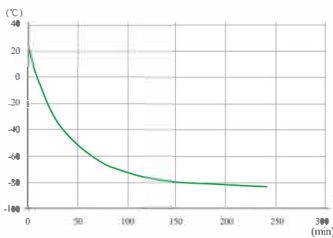
Performance Data/ Cooling Curve

Environment temperature: 25°C
 Container: 1.5ml mini-type needle tubing*4
 Cooling time: 25°C→-80°C 120min



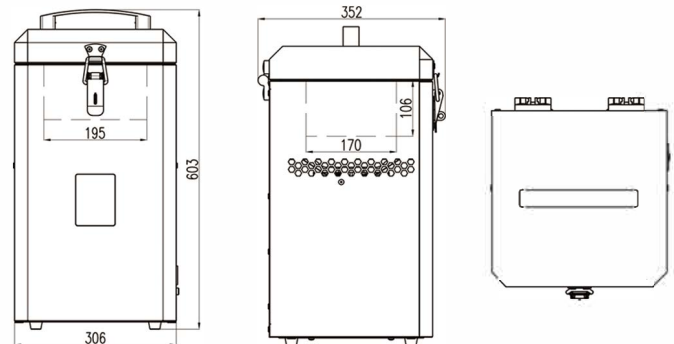
Put in a 1.5ml minitype test tube (water injected) when powering on

Environment temperature: 25°C
 Container: 1.5ml mini-type needle tubing*4
 Cooling time: 25°C→-80°C 3min



Put in a 1.5ml minitype test tube (water injected) when running at -80°C

External Dimension



Product Name	
-86° C Portable Ultra-low Freezer	
Model	DW-86HL1.8
Capacity(L)	1.8
Temp. Range(°C)	-40~-86
Ambient Temperature(°C)	16-32
Cooling	Direct cooling
Display	Digital display
Climate Class	N
Internal Size(WDH)mm	152*133*87
External Size(WDH)mm	245*282*496
Package Size(WDH)mm	315*385*530
NW/GW(Kgs)	12/14
Alarm System	High/low temperature , Sensor fault , Power outage
Power Supply(V/HZ)	DC24V、 AC100V-240V/50
Rated Power(W)	60
Input Power(W)	80
Current Consumption(KWh/24h)	2.24
Rated Current(A)	0.46
External Material	SPCC steel with powder coating
Inner Material	EVA
External Lock	Y

*The model, parameters and performance specified in this brochure may be changed without prior notice because of product upgrading.

*There may be differences between the product images shown in this brochure and the actual products. When you are buying any product, please check the actual product.



Laboratory Equipment Manufacturer
www.mrclab.com

