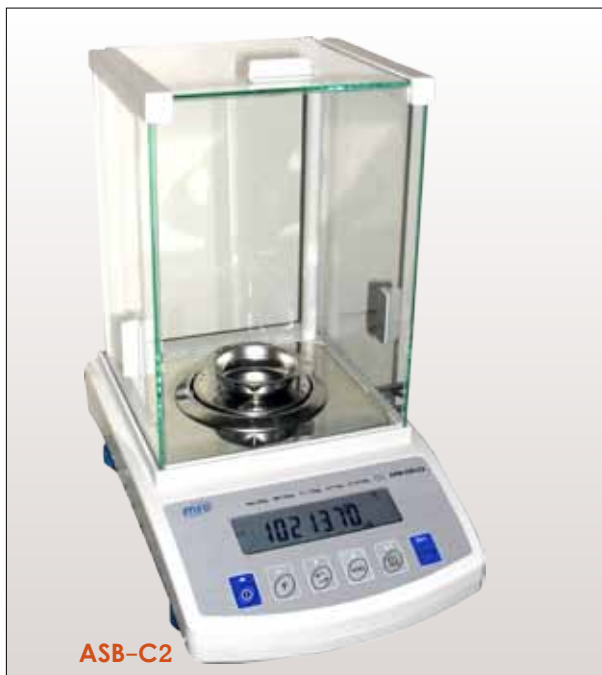


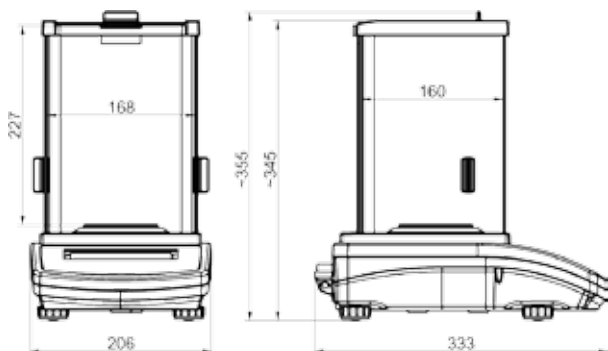
ASB Series, Analytical Balances



Balances Series ASB represent standard level of analytical balances. They are equipped with backlit LCD display. Accuracy and precise measurement of the balances are determined by internal calibration, dependant on time and temperature changes. Analytical balances ASB Series are offered with following capacities: 110, 160, 220, 310 g with readability of 0,1 m g and 60/220 with readability 0,1/0,01 mg and 100 g with readability 0,01 mg. GLP procedure of these balances is a report from calibration process of the balance, and this information has unchangeable shape (no modification possible). User has access to big measuring chamber with sliding doors and sliding top glass. Each balance is equipped with RS 232 output and possibility of connection of additional display as standard.



Balances have possibility of weighing loads under the weighing pan, i.e. under-hook weighing. In such case the mass of load is measured under the pan. It is an alternative for loads with non-standard dimensions, shapes and loads which create magnetic field. Under-hook weighing is also applied for density determination of materials.



Optional accessories:

- Anti-vibration table (mild steel or stainless steel)
- Printers
- Density kit for solids and liquids
- Rack for under hook weighing
- Additional LCD display
- External rechargeable battery with charger
- Computer software

Model	ASB-60-220-C2	ASB-110-C2	ASB-160-C2	ASB-220-C2	ASB-310-C2
Max capacity	60/220g	110g	160g	220g	310g
Minimal load	1mg	10mg	10mg	10mg	10mg
Readability	0.01mg/0.1mg	0.1mg	0.1mg	0.1mg	0.1mg
Tare range	-220g	-110g	-160g	-220g	-310g
Working temperature	+10°C -+45°C				
Repeatability*	0.03/0.1mg	0.1mg	0.1mg	0.1mg	0.1mg
Linearity	±0.07/0.3mg	±0.2mg	±0.2mg	±0.2mg	±0.3mg
Sensitivity drift	2 ppm/°C @ temperature +15°C -+35°C				
Stabilization time	6 s / 3.5 s	3.5 s	3.5 s	3.5 s	3.5 s
Sensitivity drift	2ppm/°C in temperature +15° - +35°C				
Working temperature	+10° - +45°C				
Pan size	Ø70mm	Ø85mm			
Power supply	110 ÷ 230V AC / 50 ÷ 60Hz / 13.5 ÷ 16V DC / 1.1A / 3W				
Adjustment/Calibration	internal (automatic)				
Display	LCD (backlit)				
Net/Gross weight	5.6/8.3kg	5.5/8.2kg	5.6/8.3kg	5.6/8.3kg	5.6/8.3kg
Packaging size	495×385×515mm				

*Repeatability as a standard deviation from 10 weighing cycles