

BPP-Y Series, Precision Balances



BPP-Y

Optional accessories:

- Printers
- PC Keyboard
- Foot Button for Tare or Print Functions
- Additional LCD Display
- External rechargeable battery pack
- Calibration weight
- Computer software

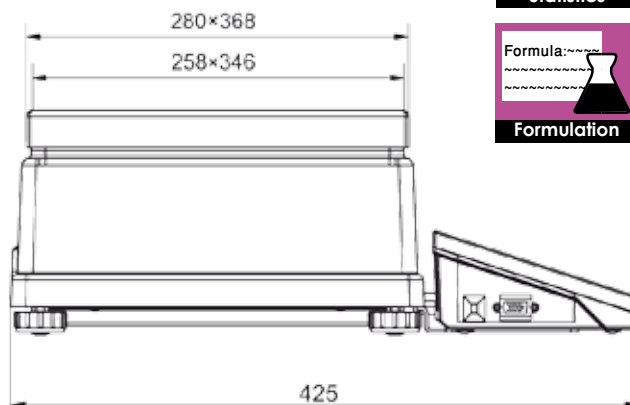
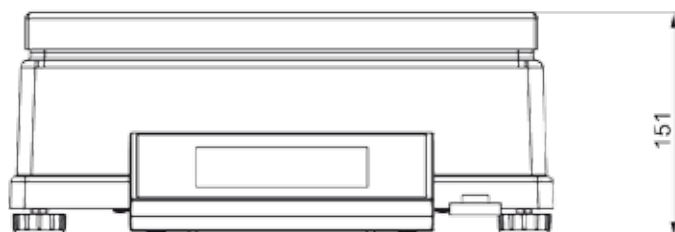
Precise balances of BPP-Y are the response for the growing market demands concerning simple operation & maximum automation of the weighing process.

Measurement reliability & accuracy is assured by internal calibration triggered by time flow or temperature conditions.

Balances equipped in a new electronic modules and are operated using a touch panel covering a 5,7" color graphic display. Scales have implemented new easily operated software.



Component pan: flat surface for big loads and openwork pan for reducing indication errors.



Model	BPP-10-Y/Y2	BPP-25-Y/Y2	BPP-35-Y/Y2	BPP-50-Y/Y2
Max capacity	10kg	25kg	35kg	50kg
Readability	0.01g	0.1g	0.1g	0.1g
Tare range	-10kg	-25kg	-35kg	-50kg
Repeatability	0.1g			0.15g
Linearity	±0.02g	±0.1g		±0.5g
Adjustment/Calibration	internal (for Y2 Series) or external (for Y Series)			
Pan size	346 × 258 mm			
Working temperature	+15° - +40°C			
Stabilization time	1.5 s	3 s		
Interface	2×USB, RS 232, Ethernet			
Power supply	110 ÷ 230V AC / 50 ÷ 60Hz / 13.5 ÷ 16V DC / 1.1A			
Calibration weight	10kg			
Display	5.7" touch screen			