

# BPS-C2 PRECISION BALANCES



release date 02-01-2017



BPS-200/2000-C2 - BPS-1000-C2



BPS-1200-C2 - BPS-6001-C2



BPS-6100-C2 - BPS-10100-C2

BPS-C2 series balances represent a new standard of precision balances. They **feature a new, readable LCD display** which allows a clearer presentation of the weighing result. Besides, the display has a new text information line allowing to show additional messages and data, e.g. product name or tare value. New BPS-C2 balances, like previously designed PS series balances, have pans in two possible dimensions: 128x128 mm or 195x195 mm. balances with a smaller pan have a draft shield. The balance precision and the measurement accuracy is assured by **automatic internal adjustment**, which takes into consideration temperature changes and time flow. BPS-C2 balances feature several communication interfaces: **2 x RS 232, type A USB, type B USB and optional Wireless Module**. The housing is made of plastic, and the pan is made of stainless steel. The balances have a possibility to weigh products out of the pan (under hook weighing) - the load hangs under the pan.

## DATABASES IN R SERIES BALANCES

The information system is based on 5 databases, which allows for several users to work with several products databases, and the registered weighing results can be subject to further analysis.

### The data is registered in 5 databases:

- users (up to 10 users),
- products (up to 1000 products),
- weighments (up to 5000 weighments),
- tares (up to 100 tares),
- ALIBI memory (up to 100 000 weighments).

There is two directions data exchange within the system thanks to a quick USB interface. New balances allow to import and export databases using USB pen drives.

- Parts counting
- Dosing
- Checkweighing
- Percent deviations
- Statistics
- Animal weighing
- Statistical Quality Control
- Autotest (GLP, Filter)
- GLP procedures
- Newton unit measurement
- Replaceable units
- Summing function
- Caps lock of max indication
- Density determination
- Under-hook weighing
- ALIBI Memory

## Quick access to information

Direct access to functions and databases is possible from the level of keyboard.

**Database** – a direct access to databasis

**Function** - a direct access to the basic functions

**F1 to F4** – programmable function and navigation keys on the menu

## High capacity balances featuring new solution for fixing of the weighing pan

The new BPS-C2 high capacity balances (6100, 8100 and 10100) feature centrally fixed weighing pan and additional sealing ring. This solution improves air-tightness and simplifies cleaning. To advance accuracy, the new balances have been equipped with metal anti-draft shield.

Additional assets are both expanded capacity (even up to 10.1 kg) and smaller dispersion of weighings – better repeatability.



## ALIBI memory

The used ALIBI memory is a data secure area and allows to record up to 100 000 weighment records. It ensures security of constant data register in the long time period.

**Technical specification:**

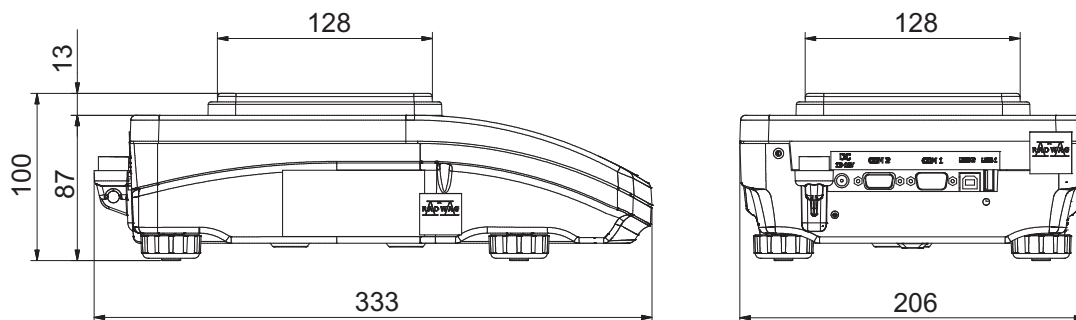
	<b>BPS-6100-C2</b>	<b>BPS-8100-C2</b>	<b>BPS-10100-C2</b>
Verification			
Max capacity	6100 g	8100 g	10100 g
Minimum load	500 mg	500 mg	500 mg
Readability	10 mg	10 mg	10 mg
Tare range	-6100 g	-8100 g	-10100 g
Repeatability *	10 mg	12 mg	15 mg
Linearity	±30 mg	±30 mg	±30 mg
Pan size		195×195 mm	
Working temperature **		+10 ÷ +40 °C	
Stabilization time		1,5 s	
Sensitivity drift		2 ppm/°C in temperature +10 ÷ +40 °C	
Interface		2 × RS 232, USB-A, USB-B, Wireless Connection - option	
Power supply ***		12 ÷ 16 V DC / 250 mA	
Adjustment/calibration		internal (automatic)	
Display		LCD (backlit)	
Net weight/Gross weight	5,6 / 7,1 kg	5,6 / 7,1 kg	5,6 / 7,1 kg
Packaging size		470×380×336 mm	

\* Repeatability is expressed as a standard deviation from 10 weighing cycles.

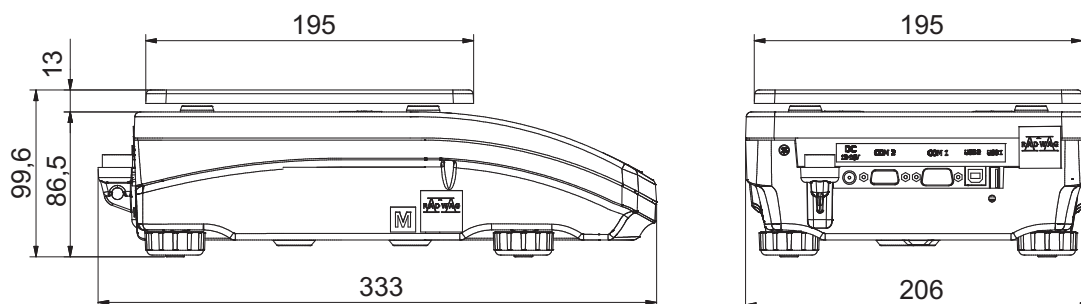
\*\* The balance retains parameters compliant with type approval certificate for temperature range +15° - +35° C

\*\*\* 250 mA for balances without Wireless module, 350 mA for balances with installed Wireless module

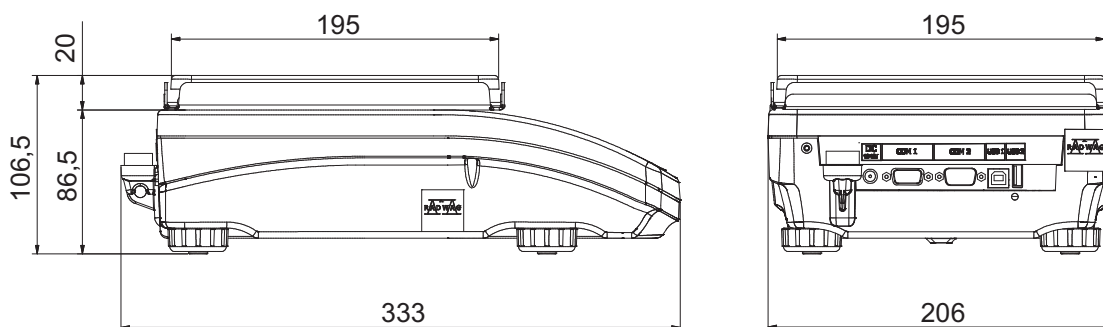
## BPS-200/2000-C2 - BPS-1000-C2



## BPS-1200-C2 - BPS-6001-C2



## BPS-6100-C2 - BPS-10100-C2



## Accessories:

Antivibration table for laboratory balances	Bar code scanner USB HID
Antivibration table SAL/STONE	Power loop output AP2-1 (plastic housing)
Impact printer Epson	Additional LCD display "WD-6"
Label printer Citizen	Power adapter with battery and charger ZR-02
Printer USB PCL	Mass standard
Density determination kit	Szafka przeciwpodmuchowa (do wag z szalką 128x128)
Rack for under hook weighing	USB A- USB B cable (balance - computer, balance - PLC printer)
"Tare" or "Print" foot button	Cable RS 232 (scale - computer) "P0108"
PC keyboard USB	Cable RS 232 (scale, Epson, Citizen printer) "P0151"
External USB memory (FAT files format)	"PW-WIN" computer software
Bar code scanner	"RAD-KEY" computer software