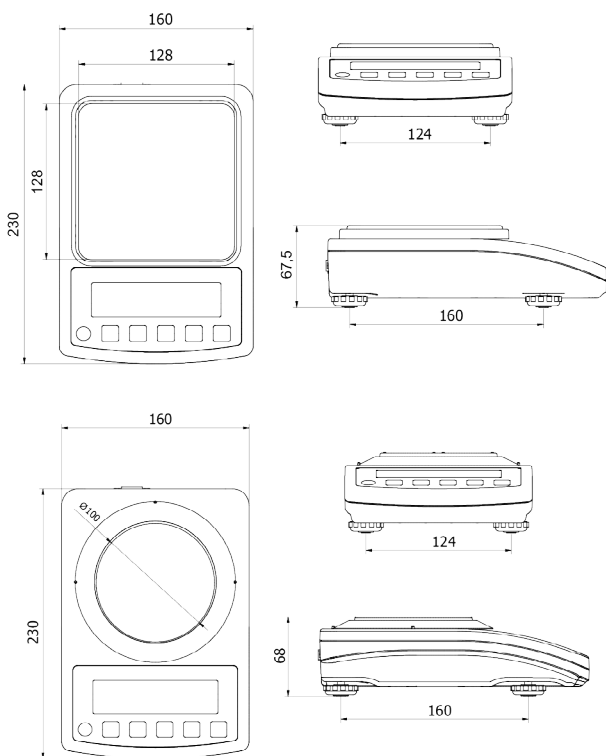


BWLC-TB Series, Precision Balances



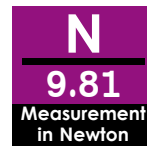
BWLC-TB balances are designed for fast and precise determination of mass in laboratory conditions.

They can be used in locations where no power (230V) is accessible as they are equipped with internal rechargeable battery.

Balances are equipped with stainless steel weighing pan, RS 232 output and backlit LCD display.

Optional accessories:

- Printers
- Table for scale
- Computer software
- RS 232/RS 485 Converter
- External power output



| Model | BWLC-200-TB | BWLC-2000-TB |
|---------------------|---|--------------|
| Max capacity | 200g | 2000g |
| Readability | 0.001g | 0.01g |
| Tare range | -200g | -2000g |
| Repeatability | 0.002g | 0.01g |
| Linearity | ±0.004g | ±0.03g |
| Pan size | Ø100 mm | 128 x 128 mm |
| Working temperature | +15° - +30°C | |
| Power supply | 230V / 11V AC or 120V / 11V AC, 8 6 AA NiMH accumulator | |
| IP rating | IP 43 | |
| Display | LCD (backlit) | |
| Net / Gross weight | 1.3/2kg | |
| Packaging size | 330x220x140mm | |