

BWPT-F Series, Table Scales



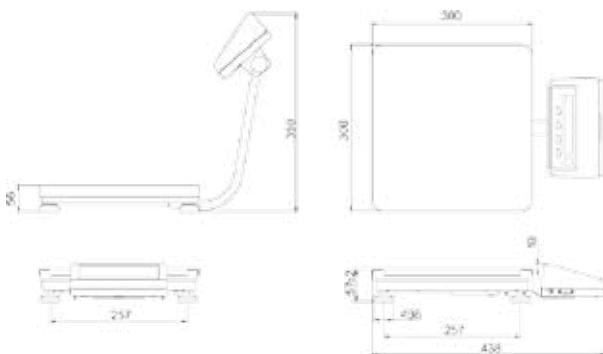
Table scales Series BWPT-F are designed for fast and precise mass determination. Tarring in the whole measuring range allows to determine Nett Mass of the weighed loads.

Scales feature low-profiled esthetic construction with Type-31 measuring indicator equipped with backlit, LCD display. Their standard equipment includes one RS 232 interface, internal rechargeable NiMH accumulators, and a power adapter. Scales Series/F can be made with a measuring indicator on a pillar, cable or fixed to the construction.

Table scales Series BWPT-F can cooperate with PC software, which contains the essential information on weighing indicated on the display. It also allows editing & modifying all the user parameters from the level of PC.

Optionally, the scales have possibility of weighing loads outside the weighing platform (so called under hook weighing). It is an alternative, for the loads with non-standard dimensions, shapes or emitting electromagnetic field.

Extra equipment comprises additional display. It is used for controlling mass of the weighed load by third party.



Optional accessories:

- Rack for head
- LCD additional display
- Large size additional display
- Printer
- Table for scale
- External power output
- Computer software
- RS 232/RS 485 converter
- RS 232 cables

| Model | BWPT-F3C BWPT-F3C-K BWPT-F3C-R | BWPT-F3-6C BWPT-F3-6C-K BWPT-F3-6C-R | BWPT-F6C BWPT-F6C-K BWPT-F6C-R | BWPT-F6-15C BWPT-F6-15C-K BWPT-F6-15C-R | BWPT-F15C BWPT-F15C-K BWPT-F15C-R | BWPT-F15-30C BWPT-F15-30C-K BWPT-F15-30C-R | BWPT-F30C BWPT-F30C-K BWPT-F30C-R |
|----------------------|--|--|--------------------------------------|---|---|--|---|
| Max. capacity | 3kg | 3/6kg | 6kg | 6/15kg | 15kg | 15/30kg | 30kg |
| Readability | 1g | 1/2g | 2g | 2/5g | 5g | 5/10g | 10g |
| Tare range | -3kg | -6kg | -6kg | -15kg | -15kg | -30kg | -30kg |
| Pan size | 300x300mm | | | | | | |
| Working temp. | -10° - +40°C | | | | | | |
| Output signal | RS 232 | | | | | | |
| Power supply | 230V / 11V AC or 120V / 11V AC and 6 × AA NiMH accumulator | | | | | | |
| Display | LCD (backlit) | | | | | | |
| Mass | 5.5kg | | | | | | |