

BWPT-F Series, Table Scales



Table scales Series BWPT-F are designed for fast and precise mass determination. Tarring in the whole measuring range allows to determine Nett Mass of the weighed loads.

Scales feature low-profiled esthetic construction with Type-31 measuring indicator equipped with backlit, LCD display. Their standard equipment includes one RS 232 interface, internal rechargeable NiMH accumulators, and a power adapter. Scales Series/F can be made with a measuring indicator on a pillar, cable or fixed to the construction.

Table scales Series BWPT-F can cooperate with PC software, which contains the essential information on weighing indicated on the display. It also allows editing & modifying all the user parameters from the level of PC. Optionally, the scales have possibility of weighing loads outside the weighing platform (so called under hook weighing). It is an alternative, for the loads with non-standard dimensions, shapes or emitting electromagnetic field. Extra equipment comprises additional display. It is used for controlling mass of the weighed load by third party.

- 

Counting pieces
- 

Checkweighing
- 

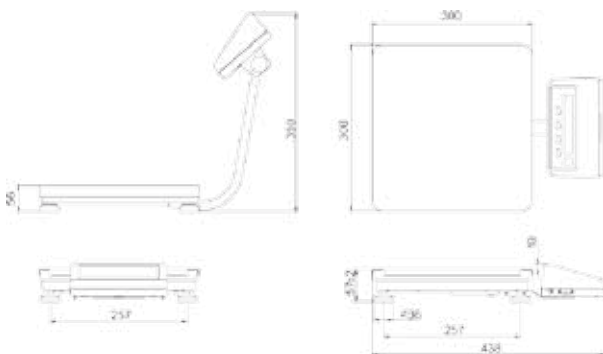
Summing function
- 

Animal weighing
- 

Percentage
- 

Caps lock of max indication
- 

N
9.81
Measurement in Newton



Optional accessories:

- Rack for head
- LCD additional display
- Large size additional display
- Printer
- Table for scale
- External power output
- Computer software
- RS 232/RS 485 converter
- RS 232 cables

Model	BWPT-F3C BWPT-F3C-K BWPT-F3C-R	BWPT-F3-6C BWPT-F3-6C-K BWPT-F3-6C-R	BWPT-F6C BWPT-F6C-K BWPT-F6C-R	BWPT-F6-15C BWPT-F6-15C-K BWPT-F6-15C-R	BWPT-F15C BWPT-F15C-K BWPT-F15C-R	BWPT-F15-30C BWPT-F15-30C-K BWPT-F15-30C-R	BWPT-F30C BWPT-F30C-K BWPT-F30C-R
Max. capacity	3kg	3/6kg	6kg	6/15kg	15kg	15/30kg	30kg
Readability	1g	1/2g	2g	2/5g	5g	5/10g	10g
Tare range	-3kg	-6kg	-6kg	-15kg	-15kg	-30kg	-30kg
Pan size	300x300mm						
Working temp.	-10° - +40°C						
Output signal	RS 232						
Power supply	230V / 11V AC or 120V / 11V AC and 6 × AA NiMH accumulator						
Display	LCD (backlit)						
Mass	5.5kg						