



APPLICATION

4Y series is a modern weighing device, especially useful when the measurement requires perfect accuracy and high speed.

FEATURES OF 4Y SERIES MICROBALANCE

REPEATABILITY (SD)
< 1d

MEASUREMENT DURATION
< 5 s.



MYA 0,8/3.4Y
(standard solutions
for any operating conditions)



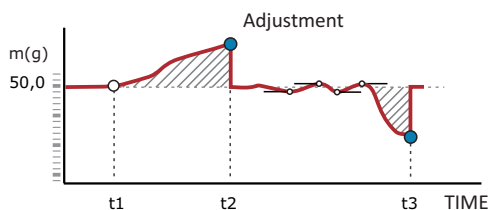
MYA 5.4Y.F
(filters weighing)



MYA 5.4Y.F1
(filters weighing)

ACCURACY

Measurement accuracy is guaranteed with an adjustment procedure carried out using an internal adjustment weight. This fully automatic process is controlled by a module intended to diagnose ambient conditions change (on-line). Adjustment processes (internal and external) can be performed in accordance with a specially designed schedule.



FUNCTIONALITY

4Y series microbalance is an optimized modern device which features an option of automatic level control (Level SENSING) as one of numerous functions.

The practical effect of balance customization are individual user profiles and gradable permission levels for access to balance menu.

Programmable proximity sensors offer wide range of possibilities: weighing chamber control, zeroing, tarring, printout.

Several functions such as differential weighing facilitate multi-stage mass control of one and the same sample subjected to various processes. Pipettes calibration function is an ergonomic tool designed to calibrate and control piston pipettes with the use of gravimetric method. MEDIA module, as one of the greatest 4Y series assets, provides the user with an on-screen help and support.

COMPLIANCE WITH REGULATIONS

Owing to security system and possibility to document the process by means of printouts (standard/editable), the 4Y balance meets requirements imposed by GLP/GMP systems for various industries (pharmacy, petrochemistry, environmental protection).

- PARTS COUNTING
- DOSING
- CHECKWEIGHING
- FORMULATION
- PERCENT WEIGHING [%]
- STATISTICS
- ANIMAL WEIGHING
- DIFFERENTIAL WEIGHING
- PIPETTES CALIBRATION
- SQC
- AUTOTEST
- AUTOMATIC DOOR
- AIR DENSITY CORRECTION
- GLP / GMP PROCEDURES
- INFRARED SENSORS
- AMBIENT COND. MONITORING
- UNITS
- MOVABLE RANGE

MEDIA module support within a reach of your hand

A sheer novelty of 4Y microbalance is the MEDIA module. With it you can learn using videos providing information on any relevant matter.



MEDIA module is a convenient way allowing you to broaden your knowledge on mass measurement but not exclusively (recommendations, SOP, reminders, self-designed testing procedures).

Technical specification:

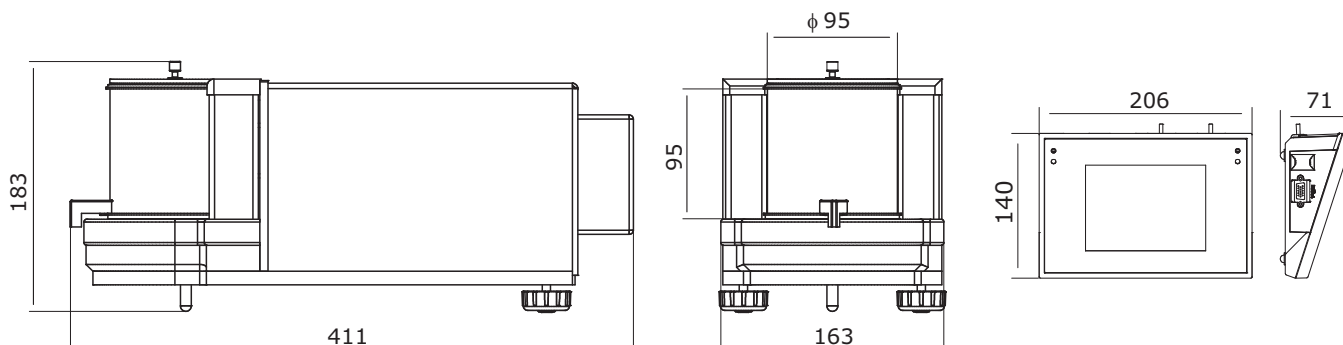
	MYA 0,8/3.4Y	MYA 5.4Y.F	MYA 5.4Y.F1
Verification	●	●	●
Max load	0,8/3 g	5,1 g	5,1 g
Readability	1/10 µg	1 µg	1 µg
Repeatability *	1 µg / 5 µg	1 µg (Rt ≤ 2g) 1,6 µg (2g < Rt ≤ 5g)	1 µg (Rt ≤ 2g) 1,6 µg (2g < Rt ≤ 5g)
Linearity	±3 µg / ±4 µg	±5 µg	±5 µg
Eccentric load deviation	3 µg / 4 µg	5 µg	5 µg
Sensitivity offset	$1,5 \times 10^{-6} \times Rt$	$1,5 \times 10^{-6} \times Rt$	$1,5 \times 10^{-6} \times Rt$
Sensitivity temperature drift	$1 \times 10^{-6} / ^\circ C \times Rt$	$1 \times 10^{-6} / ^\circ C \times Rt$	$1 \times 10^{-6} / ^\circ C \times Rt$
Sensitivity stability	$1 \times 10^{-6} / \text{Year} \times Rt$	$1 \times 10^{-6} / \text{Year} \times Rt$	$1 \times 10^{-6} / \text{Year} \times Rt$
Minimum weight (USP)	2 mg	2 mg	2 mg
Minimum weight (U = 1%, k = 2)	0,2 mg	0,2 mg	0,2 mg
Pan size	Ø 16 mm Ø 60 mm (weighing pan for filters)	Ø 26mm, Ø 100mm	Ø 26mm, Ø 160mm
Weighing chamber dimensions	Ø 90 × 90 mm	Ø 118 × 35 mm	Ø 168 × 35 mm
Stabilization time		max 8 s	
Adjustment/Calibration		automatic (internal)	
Power supply		13,5 ÷ 16 V DC / 2,1 A	
Casing of the terminal		ABS plastic	
Display		colour 5,7"(640x480) with a resistive touch screen	
Processor		2 × 1 GHz	
Memory		RAM: 256 MB DDR2, flash: 8 GB microSD	
Interface		2×USB host, 2×RS 232, Ethernet 10/100 Mbit, Wireless Module	
Audio module		YES (voice messages support)	
Video support		YES (videos and multimedia instructions)	
Manual on screen		YES	
IN / OUT		4 in / 4 out (digital)	
Packaging size		660×660×455 mm	
Net weight/Gross weight		9,1kg / 16,6 kg	
Ambient conditions			
Working temperature		+10 ° ÷ +40 °C	
Change rate of working temperature		±0,3 °C/h (±1 °C/8h)	
Atmospheric humidity **		40% ÷ 80%	
Change rate of atmospheric humidity		±1%/h (±4%/8h)	

Rt - net weight

* - repeatability expressed as standard deviation from 10 weighing cycles

** - Non-condensing conditions

Dimensions:

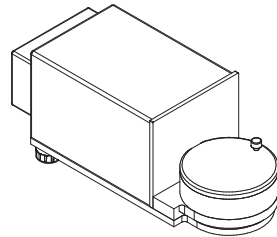
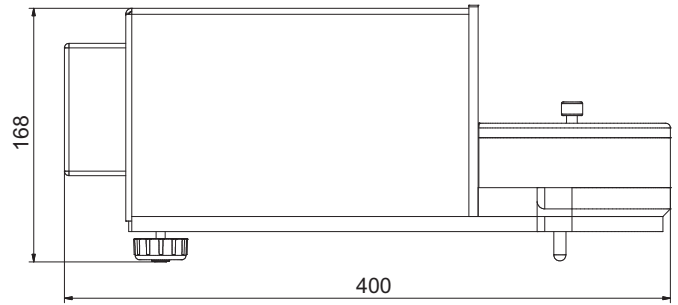
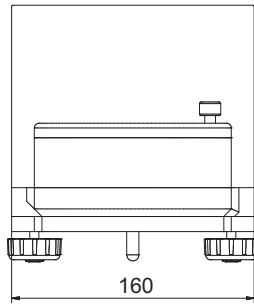
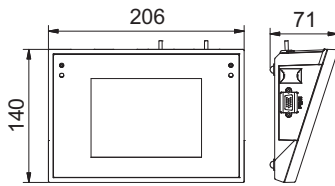


Owing to fastidious selection of mechanical design components our balance allows to obtain great stability and repeatability of indications regardless of measured sample size and conditions of use. Multi-shield mechanical design of the weighing module provides excellent thermal stability. Even with challenging ambient temperature your weighing is precise and accurate.

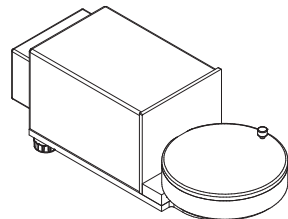
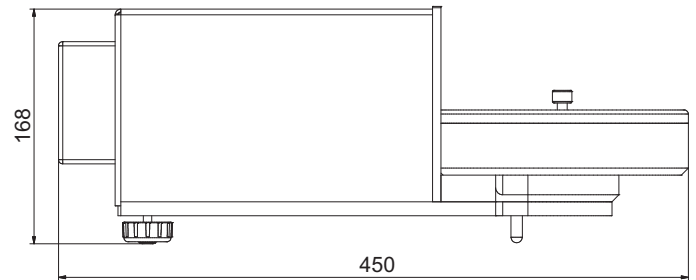
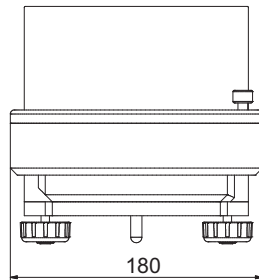
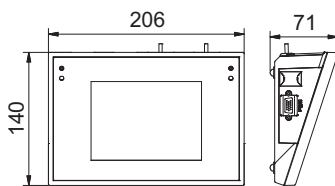
4Y microbalances offer modern hardware and software. In-built programs, Windows Embedded Compact 7 operating system, Flash memory, Double Hardware system guarantee fast measurement and reliability when it comes to data acquiring and processing. The 4Y series comprises 5,7" colour touchscreen providing ever more increased balance operation functionality and even more practical results presentation. Complex databases allow measurement record along with printout and export option.

Dimensions:

F version



F1 version



Additional equipment:

Antivibration table for microbalances

Professional weighing table

Impact Epson printer

Label printer Citizen

Anti draft shield for microbalances

Tare and Print foot button

R-LAB computer software

REC-FS computer software

Antistatic ionizer DJ-03

THB ambient conditions module

Additional LCD display "WD-5"

PC USB keyboard

Power adapter with battery and charger ZR-02

Mass standard

Antistatic cable PA 1

Bar code scanner

Cable RS 232 (balance - Epson, Citizen printer) "P0151"