

# PRECISION BALANCES WLY



release date 14-12-2016



Precision balances series WLY are the response for the growing market demands concerning simple operation and maximum automation of the weighing process.

WLY series can cooperate with barcode scanners, receipt and label printers, RFID scanners and PC peripherals (mouse, keyboard, USB flash data storage devices).

## DESIGN AND FUNCTIONALITY

All models of WLY series feature stainless steel weighing pan and a touch panel covering a 5.7" colour graphic display and membrane keyboard. WLY balances can cooperate with an additional weighing platform.

WLY highlights:

- programmable display and function keys
- programmable infrared proximity sensors
- desining custom printouts
- desining text data in display's window.

- Parts counting
- Labeling
- Dosing
- Checkweighing
- Percent deviations
- Statistics
- Animal weighing
- Differential weighing
- Formulation
- Plus/Minus Control
- Under hook weighing
- Totalizing
- Density determination
- Peak hold
- Packaged Goods Control
- Infrared sensors
- Newton unit measurement
- Replaceable units
- ALIBI Memory



### Data exchange through USB storage devices

- update balance software
- export weighing data



### 5,7" touch screen

- Infrared proximity sensors
- Programmable 40 functions (PRINT, TARE and others).



In standard balance offers modes of "Parts counting" and "Checkweighing".



### Communication interfaces

- Ethernet
- 2×RS 232
- 2×USB
- 4 in/4 out
- Wireless connection

## Technical specification:

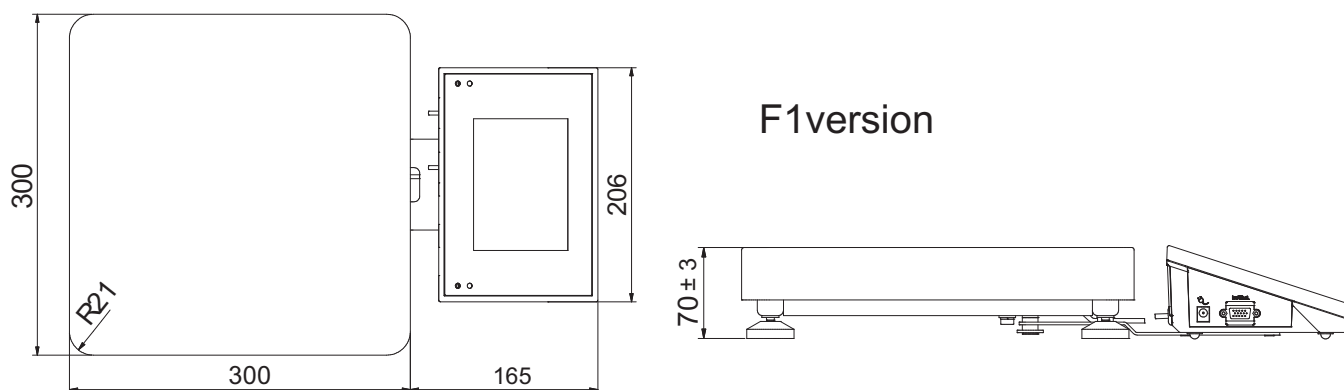
	WLY 1/D2	WLY 2/D2	WLY 6/D2 M 17	WLY 10/D2	WLY 20/D2
Max capacity	1 kg	2 kg	6 kg	10 kg	20 kg
Minimal load	-	-	5 g	-	-
Readability	0,01 g	0,01 g	0,1 g	0,1 g	0,1 g
Verifying unit	-	-	1 g	-	-
Tare range	-1 kg	-2 kg	-6 kg	-10 kg	-20 kg
Repeatability	0,3 g	0,03 g	0,1 g	0,3 g	0,3 g
Linearity	± 0,03 g	± 0,03 g	± 0,1 g	± 0,3 g	± 0,3 g
OIML class	-	-	II	-	-
Pan size	195 × 195 mm				
Stabilization time	3 s				
Working temperature	+15 ° ÷ +30 °C				
Storage temperature	-25 ° ÷ +70 °C				
IP rating	IP 43				
Power supply	110÷230VAC 50/60Hz / 10,5÷15VDC				
Adjustment / Calibration	external				
Display	5,7" touch screen				
Interface	2×USB, 2×RS 232, Ethernet, 4 I/O digital, Wireless connection				
Net weight/Gross weight	2,7 / 3,6 kg				
Packaging dimensions	490 × 300 × 150 mm				

## Technical specification:

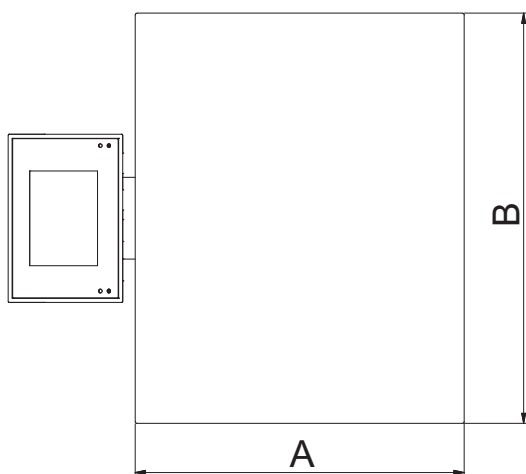
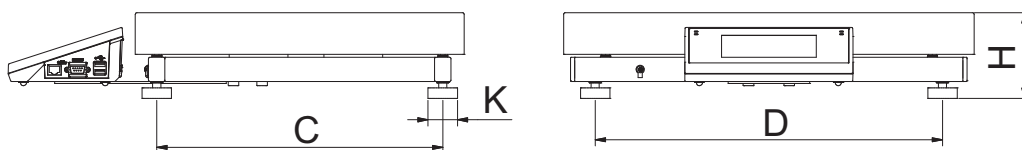
	WLY 6/F1/R WLY 6/F1/K M 17	WLY 12/F1/R WLY 12/F1/K	WLY 30/F1/R WLY 30/F1/K	WLY 60/C2/R WLY 60/C2/K	WLY 120/C2/R WLY 120/C2/K
Max capacity	6 kg	12 kg	30 kg	60 kg	120 kg
Minimal load	5 g	-	-	-	-
Readability	0,1 g	0,2 g	0,5 g	1 g	2 g
Verifying unit	1 g	-	-	-	-
Tare range	-6 kg	-12 kg	-30 kg	-60 kg	-120 kg
Repeatability	0,1 g	0,6 g	1,5 g	1 g	2 g
Linearity	±0,1 g	±0,6 g	±1,5 g	±1 g	±2 g
OIML class	II	-	-	-	-
Pan size	300×300 mm			400×500 mm	
Stabilization time	3 s				
Working temperature	+15 ° - +30 °C				
Storage temperature	-25 ° - +70 °C				
IP rating	IP 43				
Power supply	110÷230VAC 50/60Hz / 10,5÷15VDC				
Adjustment / Calibration	external				
Display	5,7" touch screen				
Interface	2×USB, 2×RS 232, Ethernet, 4 I/O digital, Wireless connection				
Net weight/Gross weight	5,2 / 6 kg			15,5/17,8 kg	
Packaging dimensions	570×390×170 mm			720×580×220 mm	

## Additional equipment:

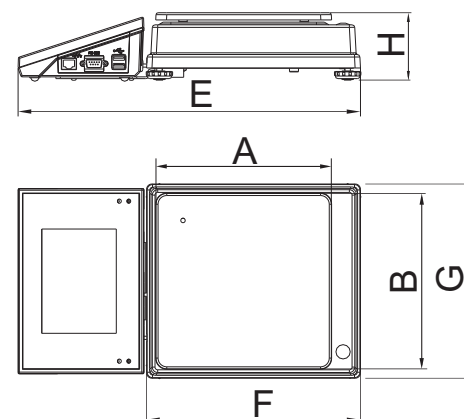
"Epson" impact printer	Handle for PUE 7 indicator
"Citizen" label printer	Barcode scanner
Computer software „PW-WIN“	Transponder card scanner CK-01
Computer software „RAD-KEY“	Weighing module DP2
LCD display „WD-4/4“	RS 232 cable: balance - "Epson/Citizen" printer: P0151
PC keyboard	RS 232 cable: balance - computer: P0108
Calibration weight	Power adapter with jack for car lighter „K0047“
Mass standard	



C2 version



D2 version



Name	A [mm]	B [mm]	C [mm]	D [mm]	H [mm]	E [mm]	F [mm]	G [mm]	K [mm]
WLY ... F1/K	300	300	230	314	70±3	-	-	-	Ø 36
WLY ... F1/R	300	300	230	314	70±3	-	-	-	Ø 36
WLY ... C2/K	402	502	350	425	105±5	-	-	-	Ø 36
WLY ... C2/R	402	502	350	425	105±5	-	-	-	Ø 36
WLY ... D2	195	195	-	-	77	381	238	216	-