

XA 4Y SERIES ANALYTICAL BALANCES



release date: 28-04-2017



APPLICATION

4Y series is a modern weighing device, especially useful when the measurement requires perfect accuracy and high speed.

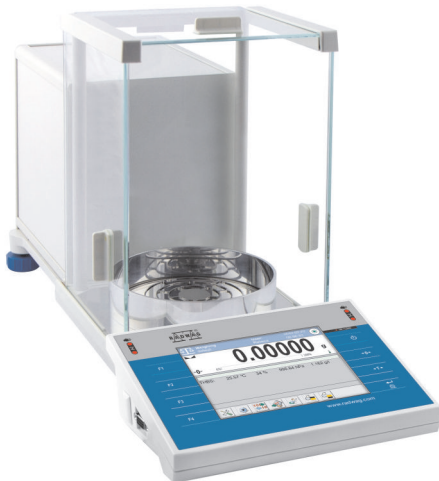
FEATURES OF 4Y SERIES BALANCES

REPEATABILITY (SD)
< 1d

MEASUREMENT DURATION
< 5 s.



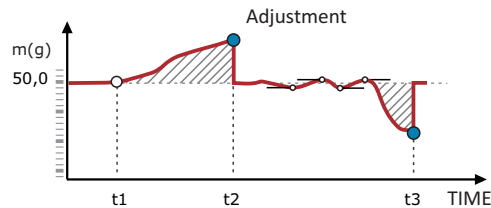
d = 0,1 mg



d = 0,01 mg

ACCURACY

Measurement accuracy is guaranteed with an adjustment procedure carried out using an internal adjustment weight. This fully automatic process is controlled by a module intended to diagnose ambient conditions change (on-line). Adjustment processes (internal and external) can be performed in accordance with a specially designed schedule.



FUNCTIONALITY

4Y series balance is an optimized modern device which features an option of automatic level control (LevelSENSING) as one of numerous functions.

The practical effect of balance customization are individual user profiles and gradable permission levels for access to balance menu.

Programmable proximity sensors offer wide range of possibilities: zeroing, tarring, printout. Several functions such as differential weighing facilitate multi-stage mass control of one and the same sample subjected to various processes. Pipettes calibration function is an ergonomic tool designed to calibrate and control piston pipettes with the use of gravimetric method. MEDIA module, as one of the greatest 4Y series assets, provides the user with an on-screen help and support.

COMPLIANCE WITH REGULATIONS

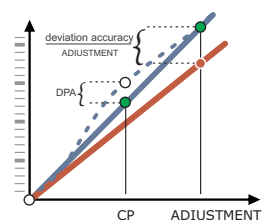
Owing to security system and possibility to document the process by means of printouts (standard/editable), the 4Y balance meets requirements imposed by GLP/GMP systems for various industries (pharmacy, petrochemistry, environmental protection).

- PARTS COUNTING
- DOSING
- CHECKWEIGHING
- FORMULATION
- PERCENT WEIGHING [%]
- STATISTICS
- ANIMAL WEIGHING
- DIFFERENTIAL WEIGHING
- PIPETTES CALIBRATION
- STATISTICAL QUALITY CONTROL
- AUTOTEST
- DENSITY
- AIR DENSITY CORRECTION
- COOPERATION WITH TITRATORS
- GLP / GMP PROCEDURES
- INFRARED SENSORS
- AMBIENT COND. MONITORING
- UNITS
- MOVABLE RANGE

MECHANICAL DESIGN

The 4Y series features reliable measuring system housed within a tight casing. With this feature, the balance provides accuracy and fast measurement for any working environment. DPA SYSTEM (Dual Point Adjustment), which is the great novelty of RADWAG analytical balances, guarantees perfect linearity even for challenging ambient conditions. DPA is a standard solution of the XA.4Y series regardless of the reading unit value.

4Y balances offer modern hardware and software. In-built programs, Windows Embedded Compact 7 operating system, Flash memory, Double Hardware system guarantee fast measurement and reliability when it comes to data acquiring and processing. The 4Y series comprises 5,7" colour touchscreen providing ever more increased balance operation functionality and even more practical results presentation. Complex databases allow measurement record along with printout and export option. The system supports 13 languages.



Technical specification:

| | XA 52.4Y | XA 110.4Y | XA 210.4Y | XA 82/220.4Y** | XA 120/250.4Y** |
|--------------------------------|--|--|--|--|--|
| Verification | YES | YES | YES | YES | YES |
| Maximum capacity | 52 g | 110 g | 210 g | 82 g / 220 g | 120 g / 250 g |
| Minimum capacity | 1 mg | 1 mg | 1 mg | 1 mg | 1 mg |
| Readability | 0,01 mg | 0,01 mg | 0,01 mg | 0,01 mg / 0,1 mg | 0,01 mg / 0,1 mg |
| Tare range | -52 g | -110 g | -210 g | -220 g | -250 g |
| Operating temperature | +10° ÷ +40°C | | | | |
| Relative humidity *** | 40% ÷ 80% (non-condensing conditions) | | | | |
| Repeatability * | 0,01 mg (Rt≤20g) 0,012 mg (20g<Rt≤52g) | 0,01 mg (Rt≤20g) 0,02 mg (20g<Rt≤50g) 0,025 mg (50g<Rt≤82g) 0,03 mg (82g<Rt≤110g) | 0,01 mg (Rt≤20g) 0,02 mg (20g<Rt≤50g) 0,025 mg (50g<Rt≤82g) 0,03 mg (82g<Rt≤100g) 0,04 mg (100g<Rt≤210g) | 0,01 mg (Rt≤20g) 0,02 mg (20g<Rt≤50g) 0,025 mg (50g<Rt≤82g) 0,08 mg (82g<Rt≤220g) | 0,01 mg (Rt≤20g) 0,02 mg (20g<Rt≤50g) 0,025 mg (50g<Rt≤82g) 0,03 mg (82g<Rt≤120g) 0,08 mg (120g<Rt≤250g) |
| Linearity | ±0,03 mg | ±0,06 mg | ±0,1 mg | ±0,06/0,2 mg | ±0,06/0,2 mg |
| Eccentricity | 0,03 mg | 0,06 mg | 0,1 mg | 0,2 mg | 0,2 mg |
| Sensitivity offset | $2 \times 10^{-6} \times Rt$ | | | | |
| Sensitivity temperature drift | $1 \times 10^{-6} / ^\circ C \times Rt$ | | | | |
| Sensitivity time drift | $1 \times 10^{-6} / Rok \times Rt$ | | | | |
| Minimum sample weight (USP) | 20 mg | | | | |
| Minimum weight (U = 1%, k = 2) | 2 mg | | | | |
| Stabilization time | ~ 4 s | | | | |
| Interface | 2×USB, 2×RS 232, 1×Ethernet, Wireless Module, 4 in / 4 out (digital) | | | | |
| Power supply - balance | 13,5 ÷ 16 V DC / 700 mA | | | | |
| Power supply - terminal **** | 13,5 ÷ 16 V DC / 1 A | | | | |
| Adjustment | internal (automatic) | | | | |
| Weighing pan | grid pan Ø 90 mm (additional weighing pan Ø 85 mm - option) | | | | |
| Weighing chamber dimensions | 170 × 200 × 220 mm | | | | |
| Net/Gross weight | 9,8 kg / 14,3 kg | | | | |
| Packaging dimensions | 720 × 385 × 485 mm | | | | |

Technical specification:

| | XA 220.4Y | XA 310.4Y |
|--------------------------------|--|--|
| Verification | YES | YES |
| Maximum capacity | 220 g | 310 g |
| Minimum capacity | 10 mg | 10 mg |
| Readability | 0,1 mg | 0,1 mg |
| Tare range | -220 g | -310 g |
| Operating temperature | +10° ÷ +40°C | |
| Relative humidity | 40% ÷ 80% (non-condensing conditions) | |
| Repeatability * | 0,08 mg (Rt≤100g) 0,12 mg (100g<Rt≤220g) | 0,08 mg (Rt≤100g) 0,12 mg (100g<Rt≤220g) 0,2 mg (220g<Rt≤310g) |
| Linearity | ±0,2 mg | ±0,3 mg |
| Eccentricity | 0,2 mg | 0,3 mg |
| Sensitivity offset | $2 \times 10^{-6} \times Rt$ | |
| Sensitivity temperature drift | $1 \times 10^{-6} / ^\circ C \times Rt$ | |
| Sensitivity time drift | $1 \times 10^{-6} / Rok \times Rt$ | |
| Minimum sample weight (USP) | 160 mg | |
| Minimum weight (U = 1%, k = 2) | 16 mg | |
| Stabilization time | ~ 2,5 sek. | |
| Interface | 2×USB, 2×RS 232, 1×Ethernet, Wireless Module, 4 in / 4 out (digital) | |
| Power supply - balance | 13,5 ÷ 16 V DC / 700 mA | |
| Power supply - terminal **** | 13,5 ÷ 16 V DC / 1 A | |
| Adjustment | internal (automatic) | |
| Weighing pan | Ø 100 mm | |
| Weighing chamber dimensions | 170×200×220 mm | |
| Net/Gross weight | 9,8 kg / 14,3 kg | |
| Packaging dimensions | 720×385×485 mm | |

Rt - net weight, * Repeatability is expressed as a standard deviation from 10 weighing cycles, **Balance with Movable Range function

**** Power supply of terminal for wireless transmission version of XA.4Y.B

The above parameters values have been determined for standard laboratory conditions. Owing to ambient conditions influence or/and balance setup the above parameters may vary for environment other than laboratory.

Mass measurement support

OPENWORK WEIGHING PAN



Recommended for measurements with $d=0.01\text{mg}$ and wherever heavy air drafts occur.

DATA EXCHANGE / COLLECTION



Using USB port it is possible to exchange and archive any information, besides the port allows you to copy your balance parameters.

HANDS-FREE OPERATION



Proximity sensors stand for various ergonomic solutions, they facilitate remote control of functions such as tarring, zeroing, printout.

AMBIENT CONDITIONS MODULE



Air pressure, temperature and humidity are parameters measured on-line, signalling system informs when their maximum and minimum values are out of range.

HOLDERS



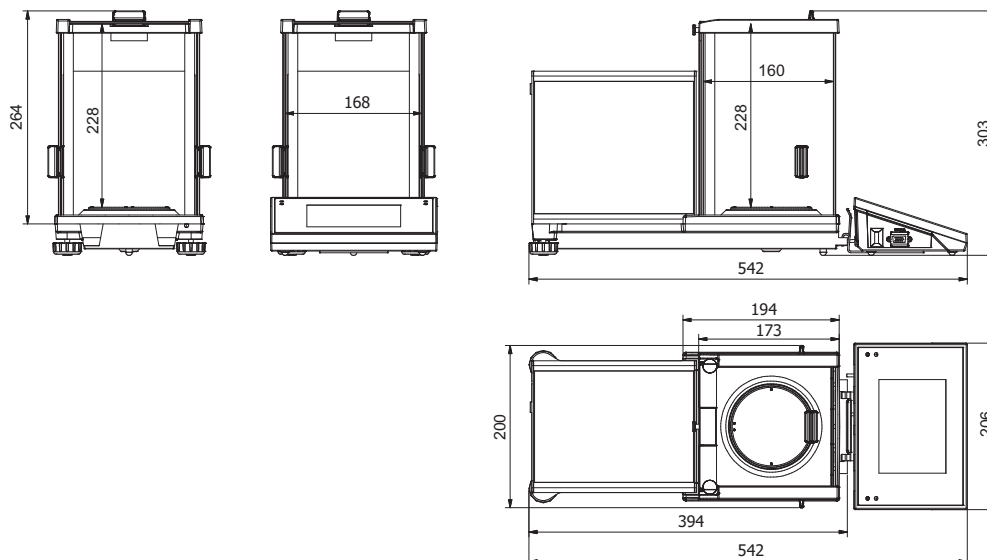
The holders are especially useful in course of weighing oval-shaped objects (bulbs, measuring vessels, test tubes etc.)

IONIZER



Application: removing electrostatic charges from samples, adjustable operating power, various options of load emission type (plus, minus, both).

Dimensions:



Accessories:

Anti-vibration table for microbalances

Professional weighing table

Impact printer - Zebra

Label printer - Citizen

Holders for glass vessels

"Tare" or "Print" footswitch

"R-LAB" PC software

"Pipettes" PC software

DJ-02 Anti-static ioniser

Density determination kit

THB ambient conditions module

LCD „WD-5"

PC USB keyboard

Adapter for pipettes calibration

ZR-02 power supplier

Mass standard

Anti-static cable PA 1

Barcode scanner

Cable RS 232 (balance - printer: drukarka Epson, Citizen) "P0151"